

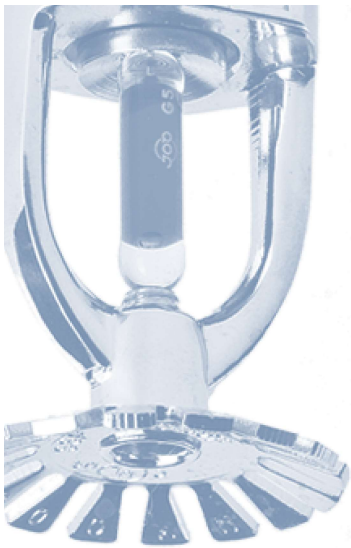
BRISTOL



AUTOMATIC SPRINKLERS

UPRIGHT, PENDENT, HORIZONTAL SIDEWALL & CONCEALED PENDENT





UPRIGHT SPRINKLERS AND PENDENT SPRINKLERS

MODEL: BF001 / BF005 / BF002 / BF004
STANDARD SPRAY, STANDARD / QUICK RESPONSE,
5/3mm BULB TYPE, K5.6, 1/2" CONNECTING THREAD



AUTOMATIC SPRINKLER SYSTEM

Description

The BF001/BF005 Standard/Quick Response Upright and BF002/BF004 Standard/Quick Response Pendent.

Sprinklers (Ref. Figure A) are automatic sprinklers of the frangible bulb type. They are "standard/quick response – standard orifice spray sprinkler" intended for use in fire sprinkler systems designed in accordance with the standard installation rules recognized by the applicable Listing or Approval agency (e.g., UL Listing is based on NFPA 13 requirements). The Upright, Pendent Sprinklers all produce a hemispherical water distribution pattern below the deflector.

Coverage

For coverage area and sprinkler placement, refer to NFPA13 standards.

Sprinkler Operation

During a fire conditions, the thermal-sensitive liquid in the glass bulb expands, causing the bulb to shatter, releasing the button and spring seal assembly. Water flowing through the sprinkler orifice strikes the sprinkler deflector, forming a uniform spray pattern to extinguish or control the fire.

Sprinkler Materials

- Frame Brass Casting DZR
- Deflector..... Brass UNS-28000
- Glass Bulb..... Glass with Glycerin Solution
JOB@ G5 for BF001/BF002
JOB@ F3 for BF005/BF004
- Set Screw..... Brass UNS-28000
- Button..... Brass UNS-62300
- Spring..... Stainless Steel
- Seal..... Teflon Tape
- Standard Escutcheon..... Cold Rolled Steel

Technical Specifications:



Model & Sprinkler I.D. No.	BF001	BF005	BF002	BF004
Style	Upright		Pendent	
Bulb Nominal Dia. & Response	Ø5mm, Standard Response	Ø3mm, Quick Response	Ø5mm, Standard Response	Ø3mm, Quick Response
Thread Size (Optional)	NPT 1/2			
Nominal Orifice Size	1/2 Inch			
Nominal K-factor	5.6 (U.S.) / 80 (metric)			
Max. Working Pressure	175 psig / 1.2 MPa (12 bar)			
Factory Hydrostatic Test	100% @ 500 psig (3.4 MPa)			
Min. Operating Pressure	7 psig / 0.048 MPa (0.48 bar)			
Sprinkler Finish	Chrome Plated			
Escutcheon Finish	Chrome Plated or Color Coated in any color			
Listings and Approvals	UL			

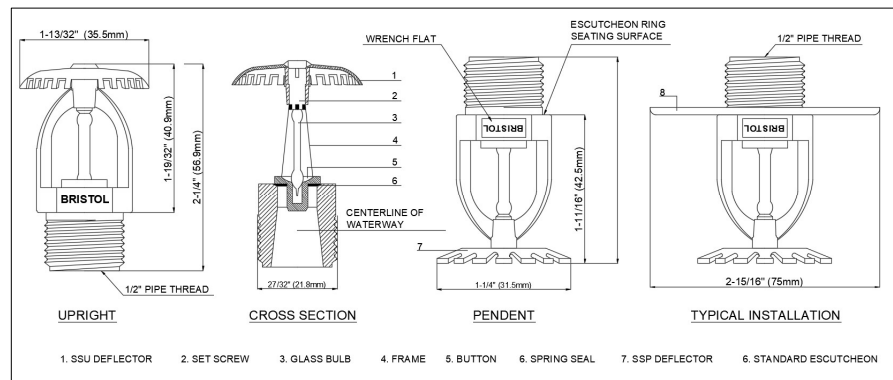


FIGURE A: MODEL BF001/BF005 UPRIGHT & MODEL BF002/BF004 PENDENT SPRINKLERS